

Sentinel Eliminator Vortex[®]700

Large dual action filter designed to protect Air Source Heat Pump systems

Powerful magnetic dirt separation combined with an 800 micron sieve to remove magnetic and non-magnetic debris. Circulating debris in heating system water can cause wear and premature failure of pumps, valves and heat exchangers.

- **Manufactured to automotive standards with glycol-compatible GRP body and dual seals**

Vortex700 materials have undergone stringent durability tests. Each filter is also individually tested for manufacturing quality. 10 year guarantee for complete reassurance of long lasting quality.

- **2 x brass isolation valves included**

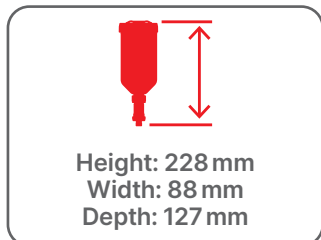
Supplied with quality EU manufactured brass valves, in a choice of sizes: 28 mm compression, 1" M or 1 1/4" M, to suit common heat pump pipework sizes.

- **High magnetic and non-magnetic debris capture capacity**

4 powerful neodymium magnets with high surface area. Large capacity filtration chamber, filtering 100% of system flow through an 800 micron mesh. Ideal for air source heat pumps and where greater debris collection is required.

- **Suitable for additives dosing**

Water treatment additives can be poured into the filter body or dosed instantly through the flush valve with Sentinel Rapid-Dose[®] products.



The Sentinel System

Lifetime protection for heating, cooling and hot water systems using the best practice process of...



CLEAN
WITH APPROPRIATE CLEANER



PROTECT
WITH X100 INHIBITOR



MAINTAIN
WITH X100 TEST KIT

Description

Sentinel Eliminator Vortex700 system filter removes all types of debris commonly associated with air source heat pump systems, affording system component protection and helping to maintain optimum system operation and efficiency.

Operation

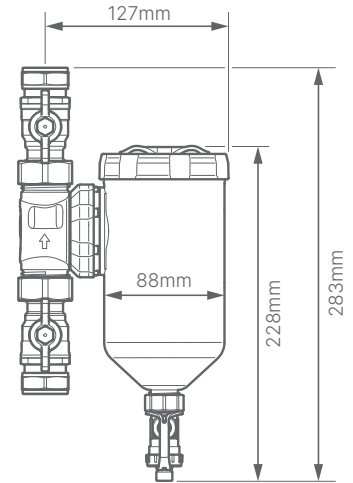
Sentinel Eliminator Vortex700 utilises an 800 micron sieve and powerful neodymium-iron-boron magnets. The collected magnetic debris can be simply flushed away by removing the magnet from its sleeve and opening the flush valve at the base of the unit. The sieve can be removed and cleaned with a soft brush during servicing.

Additional Features

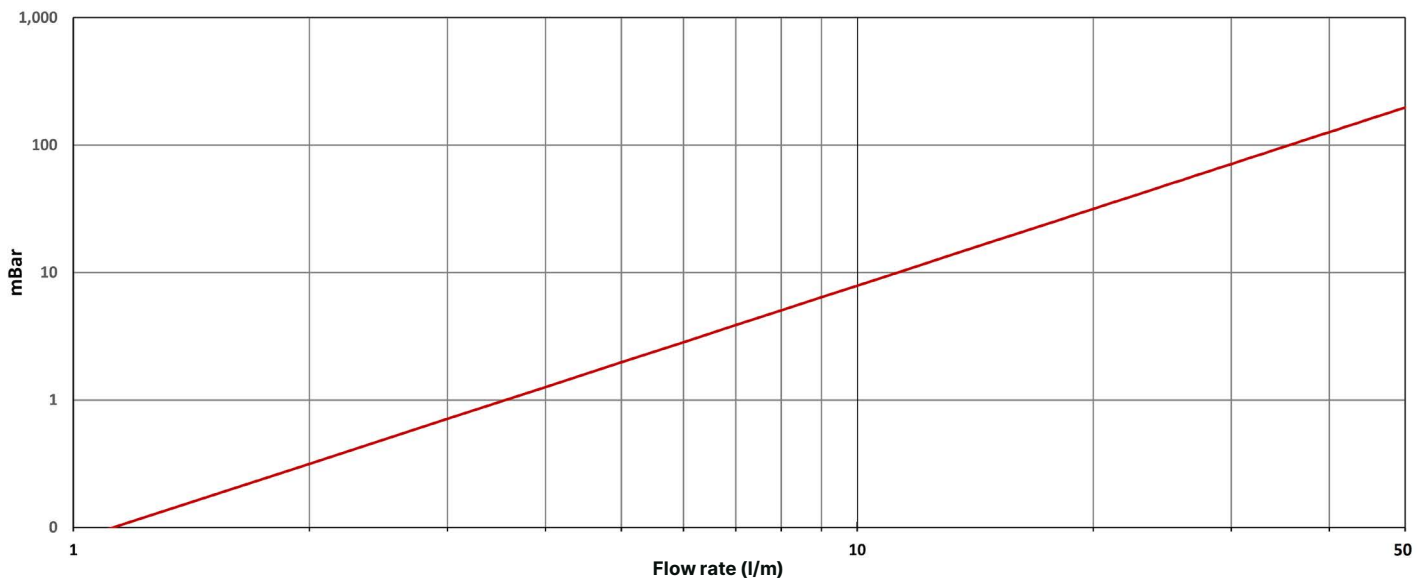
Large collection capacity	Suitable for use on air source heat pump systems
Tamper-proof	Flush valve safety feature
High Flow	Max. flow rate of 50 litres per minute
Dosing	Compatible with Sentinel Rapid-Dose (300ml)

Technical Specifications

Maximum temperature	100°C
Maximum operating pressure	3 bar
Maximum flow rate	50 litres/min
Mounting	Main unit upright only – flow aligned with directional arrow
Connectors	1", 1¼" and 28 mm
Weight (boxed)	1.6 kg



Pressure Loss Chart - Eliminator Vortex700



The use of Sentinel water treatment is endorsed by the industry's major international manufacturing companies*



Sentinel Performance Solutions Ltd.

7650 Daresbury Park, Warrington, Cheshire, WA4 4BS, United Kingdom. Tel: +44 (0) 1928 704 330

Sentinel is a trade mark owned by Sentinel Performance Solutions Ltd.

www.sentinelprotects.com

